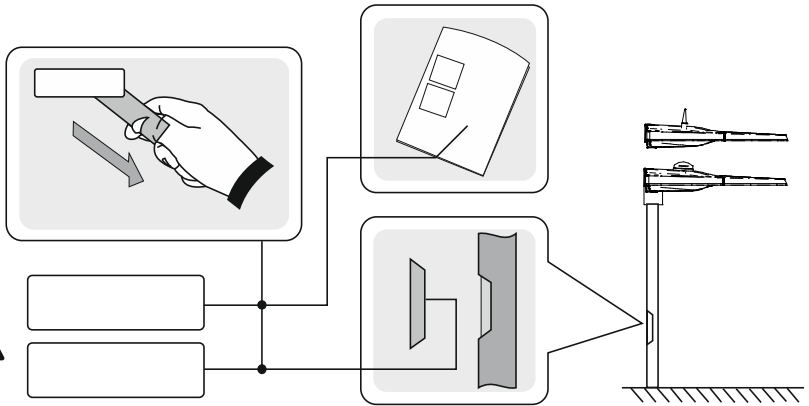
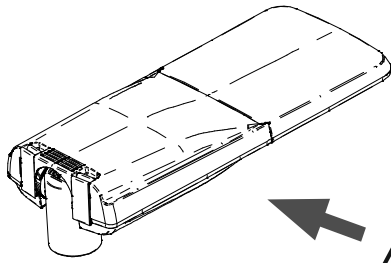
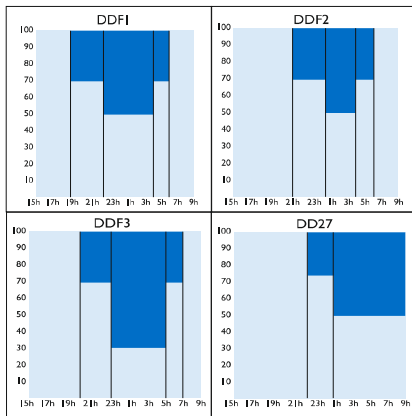


RF/ CTC

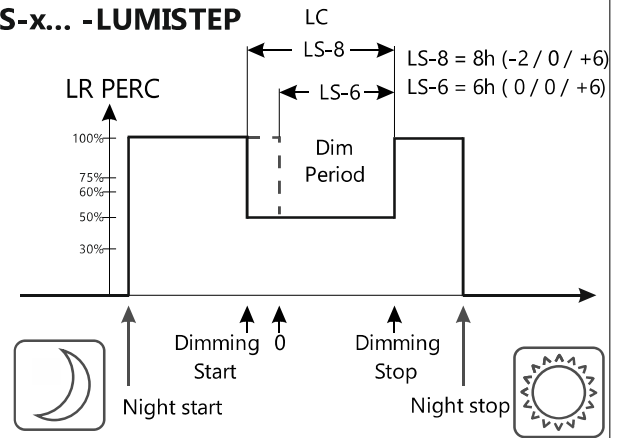


10

...DDFx... - DYNADIMMER



...LS-x... - LUMISTEP

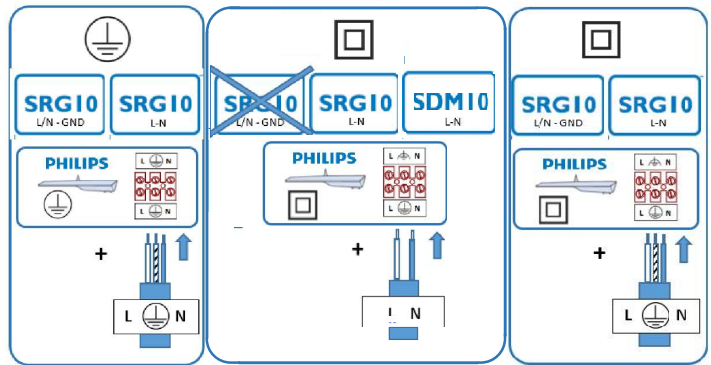
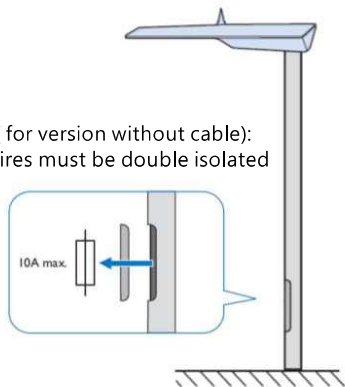


11

SRG10
10kV protection



Attention: (for version without cable):
in class II wires must be double isolated



12